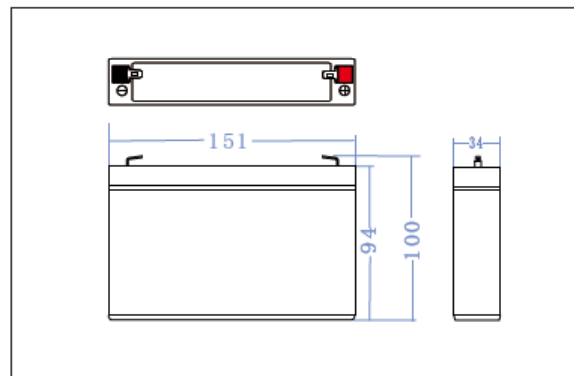


## AGM39

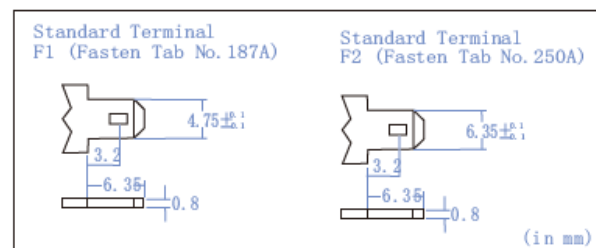
6V 7.2Ah



### Dimensions (mm)



### Terminal Type



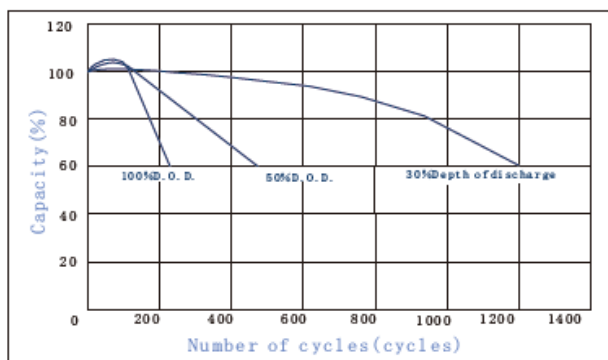
### Electrical Specification

Capacity 25°C (77° F)	20hour rate (0.36A)	7.2Ah
	27min rate (7.2A)	3.24Ah
	7min rate (21.6A)	2.52Ah
Capacity Affected by Temperature (20hour rate)	40°C (104° F)	102%
	25°C (77° F)	100%
	0°C (32° F)	85%
	-15°C (5° F)	65%
Internal Resistance	full charged battery 77° F (25°C)	20mΩ
Self-Discharge at 25°C (77° F)	Capacity after 3month storage	91%
	Capacity after 6month storage	82%
	Capacity after 12 month storage	64%
Charge (constant Voltage)	Cycle	Initial Charging Current less than 2.16A Voltage 7.20-7.50V
	Float	Voltage 6.75-6.90V

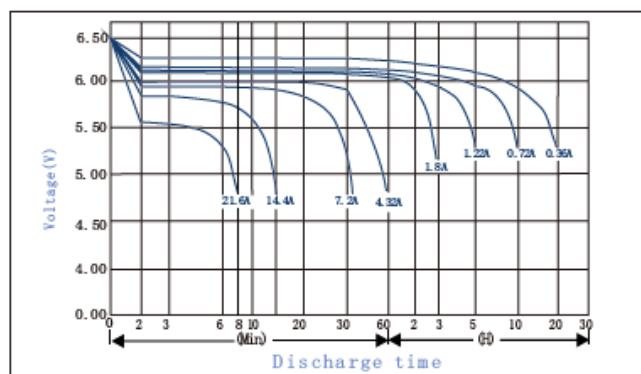
### Physical specification

Nominal Voltage	6V	
Nominal Capacity (20HR)	7.2AH	
Dimensions	Length	151±1mm (5.94 inches)
	Width	34±1mm (1.34 inches)
	Container Height	94±2mm (3.70 inches)
	Total height	100±2mm (3.94 inches)
Weight		Approx 1.06kg (2.332 lbs)
Standard Terminal		F1/F2

### Cycle service life in relation to depth of discharge



### Discharge Characteristics after fully charged (25°C, 77°F)



### Constant Current (Amp) and Constant Power (watt) Discharge Table at 25°C, (77°F)

time		5min	10min	15min	30min	1h	2h	3h	4h	5h	10h	20h
3.20V	A	15.44	9.77	7.73	4.28	2.64	1.44	1.04	0.84	0.71	0.38	0.21
	W	57.46	36.68	29.29	16.37	10.18	5.60	4.08	3.29	2.80	1.51	0.82
3.30V	A	14.96	9.47	7.53	4.18	2.58	1.43	1.03	0.82	0.70	0.38	0.21
	W	55.69	35.56	28.54	15.96	9.95	5.54	4.02	3.24	2.77	1.51	0.82
3.40V	A	14.28	9.05	7.25	4.07	2.52	1.41	1.01	0.81	0.69	0.38	0.20
	W	53.18	34.00	27.49	15.56	9.72	5.48	3.96	3.20	2.74	1.50	0.82
3.50V	A	13.60	8.63	6.97	3.96	2.46	1.39	1.00	0.80	0.68	0.38	0.20
	W	50.66	32.43	26.44	15.15	9.49	5.39	3.93	3.17	2.71	1.50	0.80
3.60V	A	12.86	8.12	6.57	3.81	2.39	1.36	0.98	0.78	0.66	0.37	0.20
	W	47.91	30.53	24.93	14.59	9.22	5.27	3.82	3.09	2.62	1.46	0.78